

DATA SHEET

1201-101-0106

VoIP LAN Adapter + DECT

PRODUCT DESCRIPTION

VoIP LAN Adapter
DECT/ISDN/POTS

DECT 20MHz @ 1.8GHz

Ready-to-Production Design
including Digital OQC Test

VoIP Adapter incl. option DECT
LAN to Router/Modem or LAN

VoIP
ISDN NT and TE (incl. lifeline)
POTS FXS and FXO (incl. lifeline)

APPLICATIONS

VoIP Adapter for residential use
and SOHO applications
connected to ADSL Router/Modem

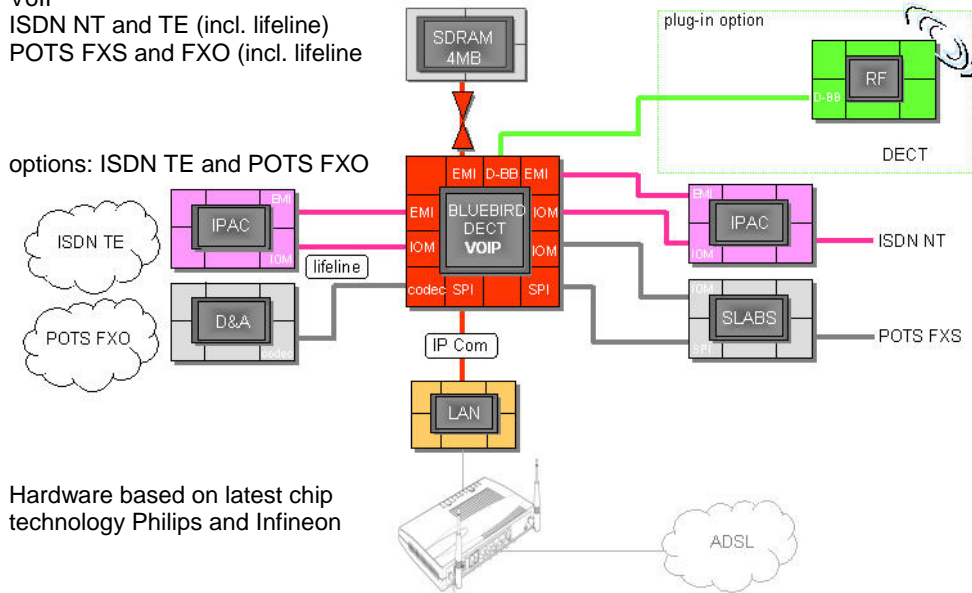
ISDN services via SIP service
cordless DECT optional plug-in

optional: POTS or ISDN LIFELINE circuit
(power down operation)



HARDWARE
Block Diagram

Ref Designs
Layout Service
Design to CI
Production Service
Upgrade Service
ODM Support

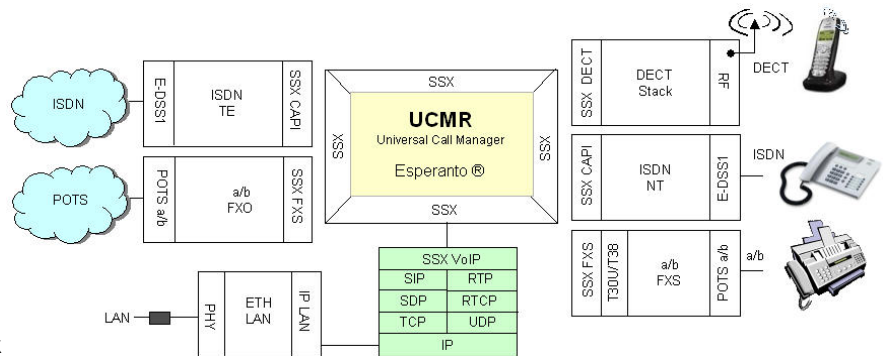


Hardware based on latest chip
technology Philips and Infineon

modular concept
C/C++ code

SOFTWARE
Block Diagram

Source Codes
KnowHow Transfer
Joint Design
Digital Test + BITE
Customizing OEM
Turnkey Design



SIP stack
D&A Source Code
(on request)

UCMR
Universal Call
Manager Esperanto®

RFQ under and info@da-research.de
Ref No 1201-101-0106

DATA SHEET

1201-101-0106

VoIP LAN Adapter + DECT



Technical Datas

extract

full features
on request
and via NDA

Data Sheet DA1200-101-0106
V1.0 Dec 2005
© DOSCH&AMAND Research
GmbH & Co. KG

DATA Services

LAN
technology (preferred)
10Base-T
100Base-T
Auto Negotiation
Audio MDIX function
configuration

transparent bridging
MPOA encapsulation

PPPoE
PPP LCP renegotiation
VPN PassThrough for

NAT/PAT
Port Forwarding
PPPoE Pass Through
DHCP server/client/relay
Dyn DNS and proxy

Infineon Amazon
IEEE 802.3-2002
IEEE 802.3-2002
IEEE 802.3-2002
on/off
local
HTML
IEEE 802.1 D
RFC 2684
RFC 1483
RFC 2516
RFC 1570
VoIP (SIP)
IPsec, L2T, PPTP
with ALG function
configurable
option: on/off
switchable
standard

IP QoS
IP-QoS upstream
TOS Bit support

EF EHP

AUDIO Services

DECT (option)
technology (preferred)
RF module (preferred)
DECT GAP telephony
DECT DPRS data
pro-longed b-field
Antenna
enhanced services
MMI
option mountable
configuration

Philips
VEGA Bluebird
Samsung

ETSI EN 300 444
5 ...6 handsets
ETSI EN 301 649
450kbps asymm
diversity FP mode
beyond GAP
CLIP/CLIR
display info
ETP
SMD RF modul
local
HTML

POTS FXS
ETSI
data transmission
DMTF, CLIP, keypad
Hook Flash

to terminal
EN 300 001
chapter 1-10
optional
ETSI EN 300 659
standard, FSK
ETSI EN 300 001
FTZ 1TR110

POTS FXO
ETSI EN 300 00
data transmission
insulation
security

to WAN
including life line
chapter 1-10
ETSI EN 300 659
part 1-3
4 kV transient
TNV1 interface
EN60950

ISDN NT
Hook Flash
resistance
bus configuration
security

ETSI EN 300 001
FTZ 1TR110
switchable DIP
point-to-point
EN60950

ISDN TE
Hook Flash
security

including life line
ETSI EN 300 001
FTZ 1TR110
EN60950

ISDN Supplementary Services optional
CLIR
CW
CH
CCBS
CCNR
3PTY

CL Ident Restrict
Call Waiting
Call Hold
Call Completion BS
Call Completion NR
3 Party Conference

VoIP
RFC Compliance a.o.
SIP V2.0
SIP Info Message
Offer/Answer Model SDP
location server
notify
SDP
digest authentication
Refer
RTP
RTP payload for DTMF
RTCP
MWI, event package
STUN
RTP conferencing
map ISDN-SIP
ringing tone generation
FaxoIP
STUN
Line Echo Cancellor
VAD
CNG
IP QoS upstream

RFC 3261
RFC 2976
RFC 3264
RFC 3263
RFC 3265
RFC 2327
RFC 2617
RFC 3515
RFC 1889
RFC 2833
RFC 1890
RFC 3842
RFC 3489
RFC 3551
RFC 3578
RFC 3960
T330U/T38
on/off
LEC
on
on
EF EHP

included SIP methods
alphanumeric account
Line Echo Cancellor
INVITE
ACK
BYE
CANCEL
REGISTER
OPTIONS
UPDATE
REFER
SUBSCRIBE
NOTIFY
numbering plan support
AC

authentication digest
PHS LEC
RFC 3261
RFC 3261
RFC 3261
RFC 3261
RFC 3261
RFC 3261
RFC 3311
RFC 3515
RFC 3265
RFC 3265
E.164
anonymous call

Codec Support
Codec G.711 A-law
Codec G.726 ADPCM
Codec G.723 (1)
Codec G.729 (2)

DSP VEGA Bluebird
DSP VEGA Bluebird
DSP VEGA Bluebird
DSP VEGA Bluebird
max x simult. Calls