

DATA SHEET

1202-101-0106

DECT VoIP BASE STATION



PRODUCT DESCRIPTION

DECT GAP VoIP Base Station

DECT 20MHz @ 1.8GHz

Ready-to-Production Design
including Digital OQC Test

DECT Base Station with
for analogue or ISDN telephone

VoIP using SIP Standard

optional:
ISDN TE incl. lifeline
POTS FXO incl. lifeline

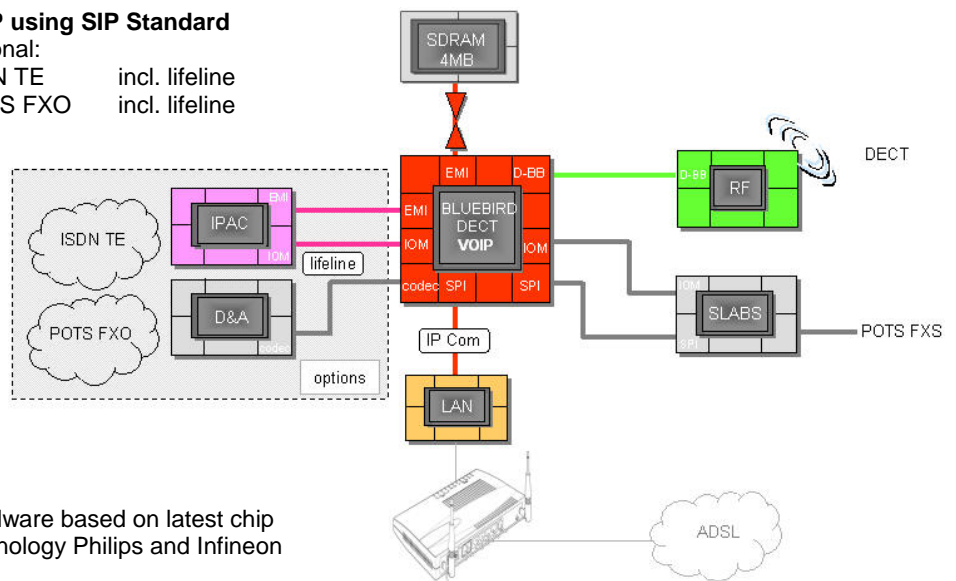
APPLICATIONS

DECT GAP VoIP Base Station
for GAP telephones (Standard DECT)
connected to Modem/Router
connected to POTS/ISDN (option)
with a/b Port for FAX and FAXoIP (T.38)

Residential use
SOHO applications

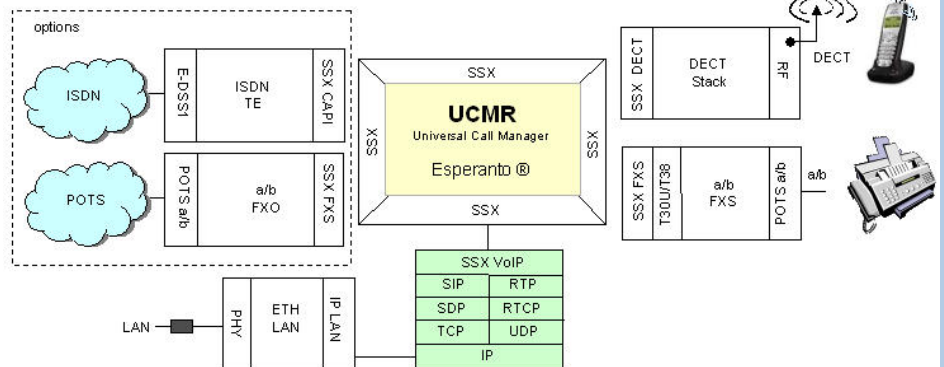
HARDWARE
Block Diagram

Ref Designs
Layout Service
Design to CI
Production Service
Upgrade Service
ODM Support



Hardware based on latest chip
technology Philips and Infineon

modular concept
C/C++ code



SIP stack VoIP and DECT GAP stack
D&A Source Code
(on request)

UCMR
Universal Call
Manager Esperanto®

RFQ under and info@da-research.de
Ref No 1202-101-0106

SOFTWARE
Block Diagram

Source Codes
KnowHow Transfer
Joint Design
Digital Test + BITE
Customizing OEM
Turnkey Design

